

..... 2

..... 2

..... 2

..... 2

..... 3

..... 3

..... 3

..... 4

..... 4

..... 13

..... 13

..... 13

..... 13

..... 14

..... 15

..... 16

..... 16

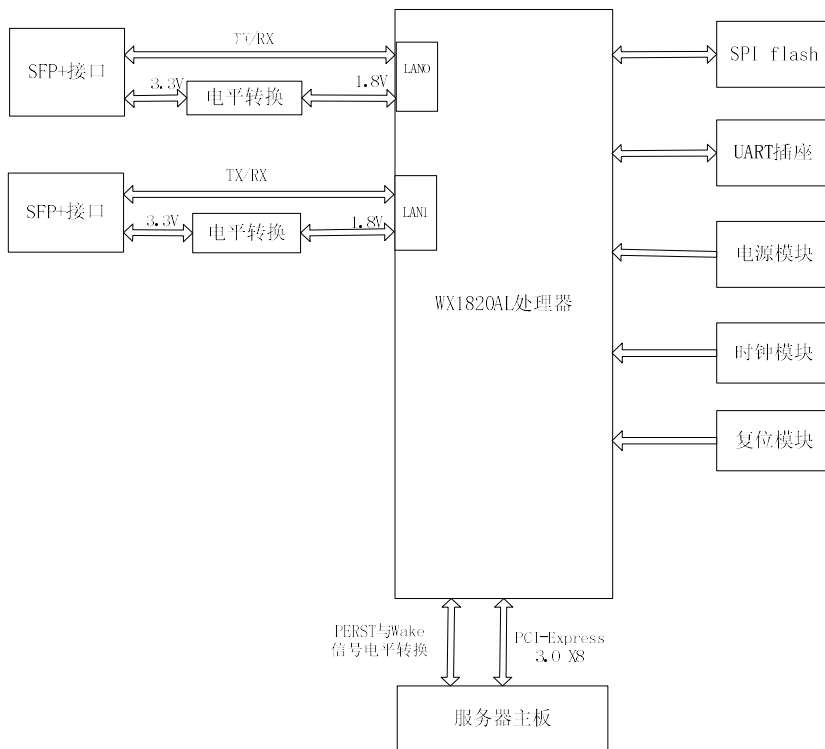
..... 16

..... 16

..... 16

..... 17

..... 17



-
-
-
-
-
-
-

-
-
-
-
-
-
-
-

-
-
-
-
-
-
-
-
-
-
-
-

-
-
-
-
-
-
-

-
-
-
-
-
-
-
-
-
-
-

-
-
-
-
-
-
-
-

-
-
-
-
-
-
-
-
-
-
-

Note the single ended signal IO level standard of WX1820AL chip is 1.8V LVC MOS standard

Ball #	PinName	Type	Description

Ball #	PinName	Type	Description

Ball #	PinName	Type	Description

Ball #		NCSI PinName	Type	Description

Ball #	PinName	Type	Description
---------------	----------------	-------------	--------------------

Ball #	PinName	Type	Description

Ball #	PinName	Type	Description

Ball #	PinName	Type	Description

Ball #	PinName	Type	Description

Ball #	PinName	Type	Description

Ball #	PinName	Type	Description

Ball #	Pin Name	Description

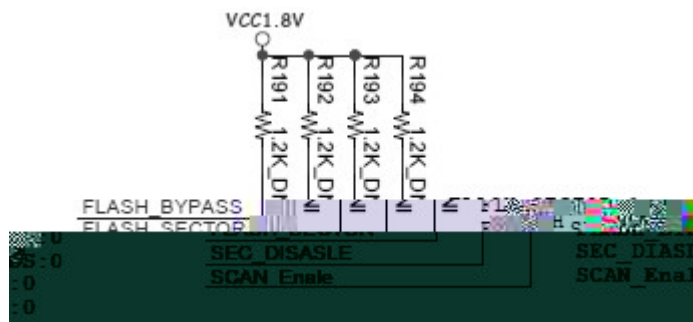
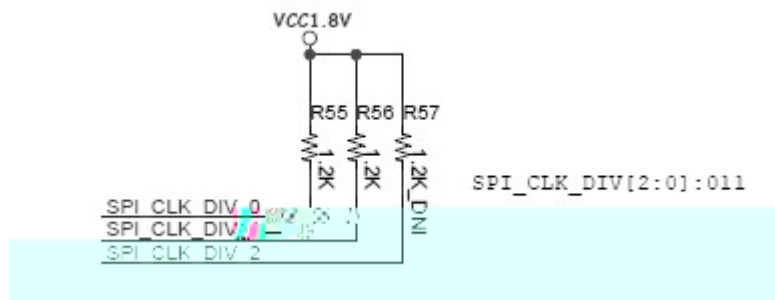
	l	n		l r

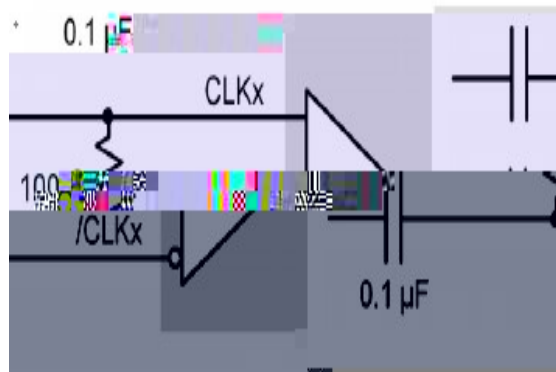
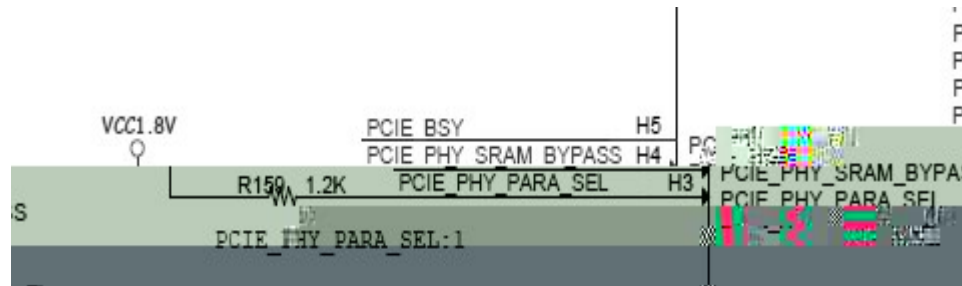
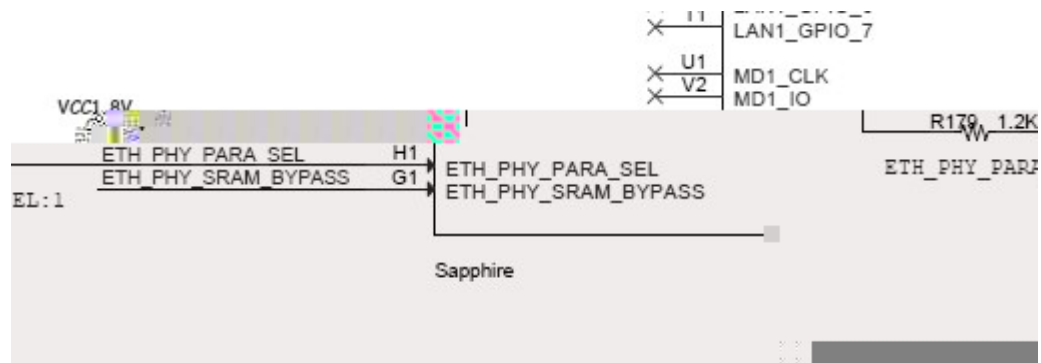
Table 18 WX1830AL

	l	n		l r

Table 19 WX1830AL

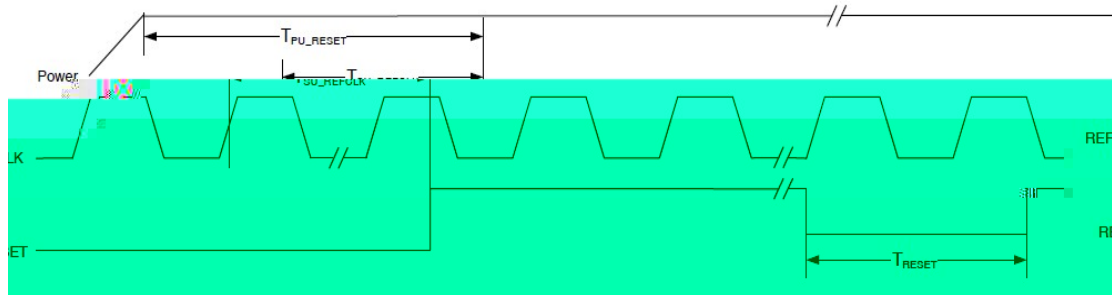
Table 200 0





	l	n		l r

Table 21



l s d a r s p c p	c r n c
winbond	W25Q16FW
microchip	SST26WF080B

Table 22

l s d a r s p c p	c r n c
Avago	AHER-7096MZ
Intel	FTLX8571D3BCV-IT
F-tone	FTCS-851X-02Dex
Finisar	FTLX8574D3BCL

Tixson	TPS- TGMB 85DCR
Huawei	CMND30000
HP	SR SFP+ 456096 001
Hasense	LIF8502- BC+
JDSU	PLR&PL SC S43
WID	RIXM28 551

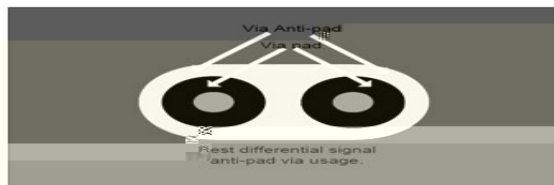
Table 23

-
-
-
-
-



-
-

WX1820AL



-

-
-

